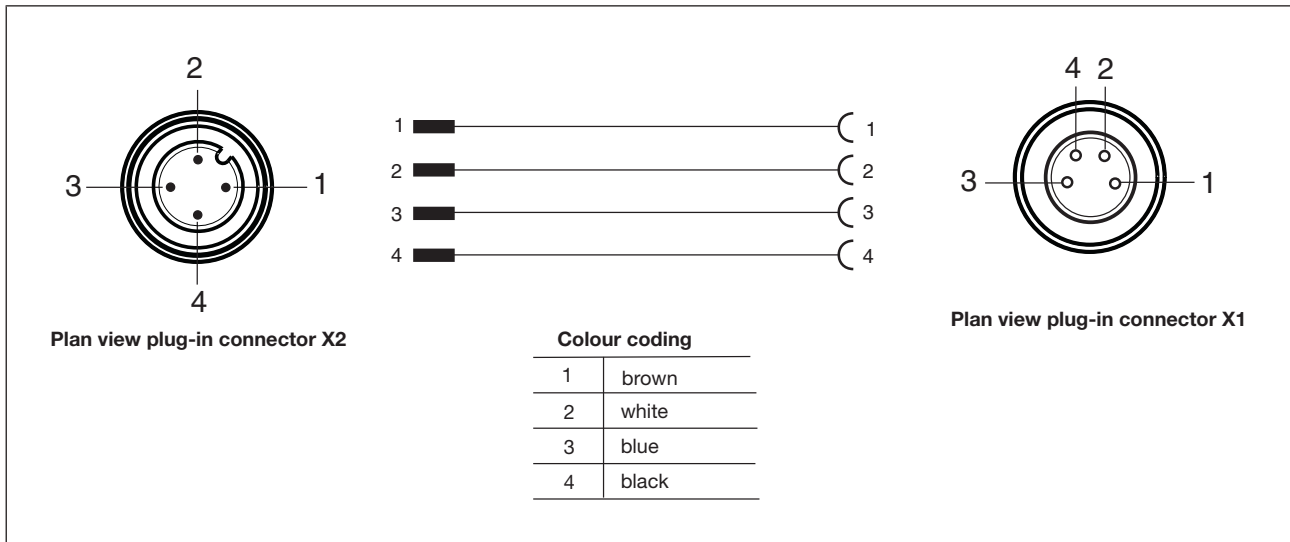


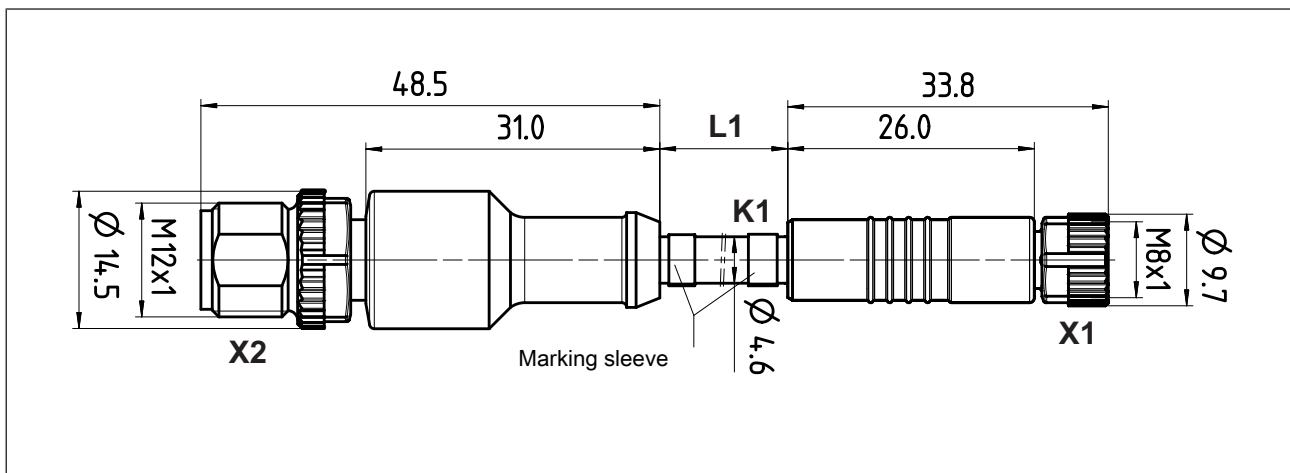
PSS67/PDP67 Cable M8-M12 4p

Connector pin assignment



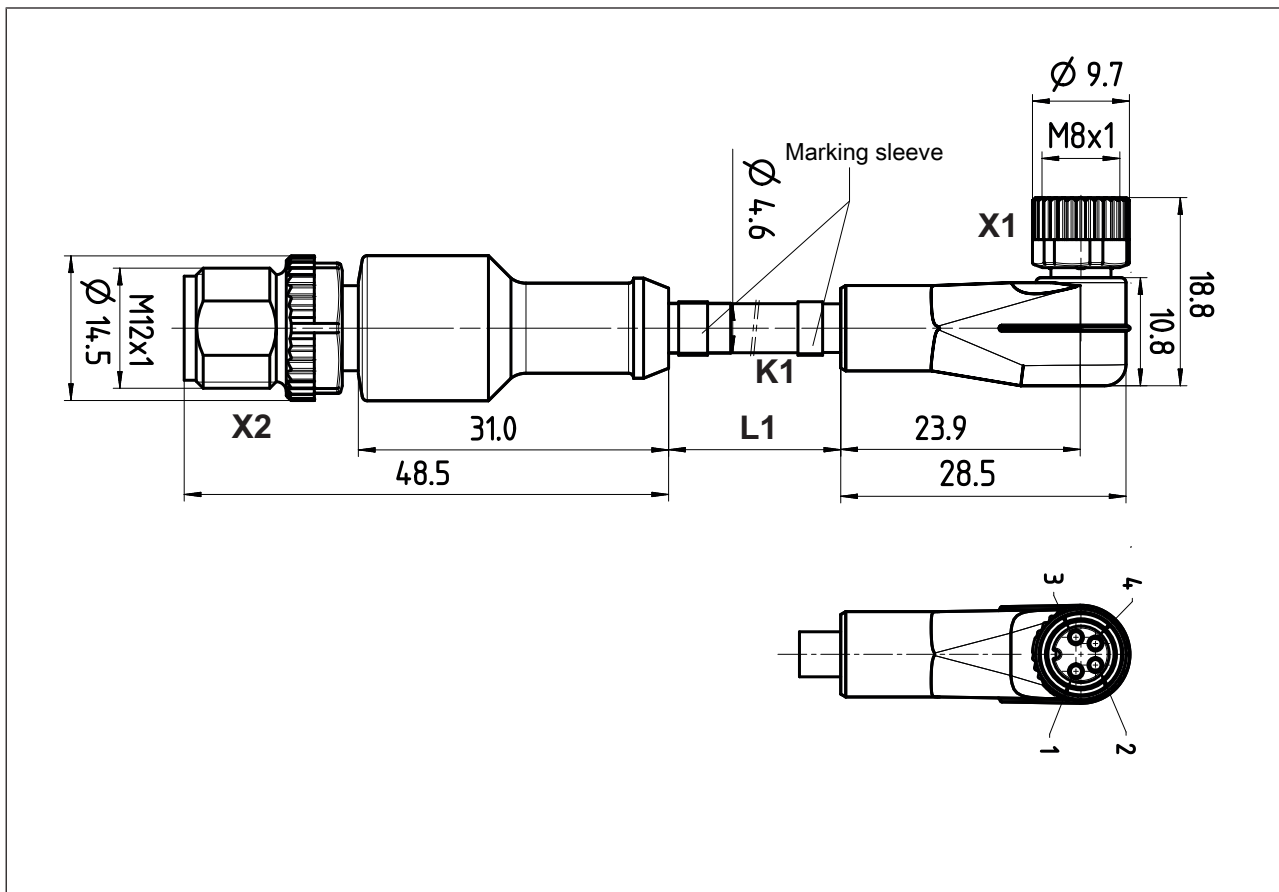
Dimensions

► M12 male connector, straight – M8 female connector, straight:



PSS67/PDP67 Cable M8-M12 4p

- ▶ M12 male connector, straight – M8 female connector, angled:



Technical details Order no. 380200 - 380203

General	380200	380201	380202	380203
Approvals	cULus Listed	cULus Listed	cULus Listed	cULus Listed
Electrical data	380200	380201	380202	380203
Rated voltage				
Voltage UB	30 V	30 V	30 V	30 V
Rated current	4 A	4 A	4 A	4 A
Test voltage	3.000 V	3.000 V	3.000 V	3.000 V
Typ. conductor resistance K1	79 Ohm/km	79 Ohm/km	79 Ohm/km	79 Ohm/km
Insulation resistance	100 MOhm	100 MOhm	100 MOhm	100 MOhm
Volume resistance	3 mOhm	3 mOhm	3 mOhm	3 mOhm
Specific volume resistance K1	>= 7E+15 Ohm*cm	>= 7E+15 Ohm*cm	>= 7E+15 Ohm*cm	>= 7E+15 Ohm*cm
Specific cable capacitance K1	64,6pF/m	64,6pF/m	64,6pF/m	64,6pF/m

PSS67/PDP67 Cable M8-M12 4p

Environmental data	380200	380201	380202	380203
Ambient temperature				
Temperature range	-25 - 80 °C	-25 - 80 °C	-25 - 80 °C	-25 - 80 °C
Airgap creepage				
Pollution degree	3	3	3	3
Protection type				
X1 when inserted	IP67	IP67	IP67	IP67
X2 when inserted	IP67	IP67	IP67	IP67
Housing	IP67	IP67	IP67	IP67
Mechanical data	380200	380201	380202	380203
Plug-in connector X1	M8, 4-pin female connector	M8, 4-pin female connector	M8, 4-pin female connector	M8, 4-pin female connector
In accordance with the standard	EN 61076-2-104	EN 61076-2-104	EN 61076-2-104	EN 61076-2-104
Form, plug-in connector X1	Straight	Straight	Straight	Straight
Plug-in connector X2	M12, 4-pin male connector	M12, 4-pin male connector	M12, 4-pin male connector	M12, 4-pin male connector
In accordance with the standard	EN 61076-2-101	EN 61076-2-101	EN 61076-2-101	EN 61076-2-101
Form, plug-in connector X2	Straight	Straight	Straight	Straight
Material of ring nut X1	CuZn	CuZn	CuZn	CuZn
Material of ring nut X2	CuZn	CuZn	CuZn	CuZn
Housing material X1	PUR	PUR	PUR	PUR
Housing material X2	PUR	PUR	PUR	PUR
Material of contact surface X1	Au	Au	Au	Au
Material of contact surface X2	Au	Au	Au	Au
Material of pin	CuZn	CuZn	CuZn	CuZn
Material of socket	CuSn	CuSn	CuSn	CuSn
Conductor material K1	Cu	Cu	Cu	Cu
Insulating cover for conductor K1	PP (9Y)	PP (9Y)	PP (9Y)	PP (9Y)
Mating cycles X1	100	100	100	100
Mating cycles X2	100	100	100	100
Cable type K1	LiF9Y11Y	LiF9Y11Y	LiF9Y11Y	LiF9Y11Y
Cable length L1	3 m	5 m	10 m	30 m

PSS67/PDP67 Cable M8-M12 4p

Mechanical data	380200	380201	380202	380203
Colour of external cable insulation K1	Yellow, similar to RAL1003	Yellow, similar to RAL1003	Yellow, similar to RAL1003	Yellow, similar to RAL1003
Colour of housing	black	black	black	black
Min. bending radius (fixed permanently) K1	5 x Ø	5 x Ø	5 x Ø	5 x Ø
Min. bending radius (moving) K1	10 x Ø	10 x Ø	10 x Ø	10 x Ø
Cable insulation material K1	PUR, TPU / TPE-U	PUR, TPU / TPE-U	PUR, TPU / TPE-U	PUR, TPU / TPE-U
Drag chain suitable K1	yes	yes	yes	yes
Cable diameter K1	4,6 mm	4,6 mm	4,6 mm	4,6 mm
Max. cable diameter K1	4,7 mm	4,7 mm	4,7 mm	4,7 mm
Conductor cross section K1	0,25 mm ²	0,25 mm ²	0,25 mm ²	0,25 mm ²
Conductor cross section AWG K1	24	24	24	24
Wire colour K1	Brown, white, blue, black	Brown, white, blue, black	Brown, white, blue, black	Brown, white, blue, black
Stranding K1	4 cores	4 cores	4 cores	4 cores
Shielding K1	No	No	No	No
Wire layer separation K1	No	No	No	No
No. of wires K1	4	4	4	4
Approval cable K1	UL AWM-Style 20233, UL/CSA	UL AWM-Style 20233, UL/CSA	UL AWM-Style 20233, UL/CSA	UL AWM-Style 20233, UL/CSA
Halogen-free	yes	yes	yes	yes
Silicone-free	yes	yes	yes	yes
Oil resistance	Resistant	Resistant	Resistant	Resistant
Non-flammability	UL VW1	UL VW1	UL VW1	UL VW1
Material				
Housing	PUR	PUR	PUR	PUR
Weight	111 g	173 g	323 g	997 g

PSS67/PDP67 Cable M8-M12 4p

Technical details Order no. 380204 - 380207

General	380204	380205	380206	380207
Approvals	cULus Listed	cULus Listed	cULus Listed	-
Electrical data	380204	380205	380206	380207
Rated voltage				
Voltage UB	30 V	30 V	30 V	30 V
Rated current	4 A	4 A	4 A	4 A
Test voltage	3.000 V	3.000 V	3.000 V	3.000 V
Typ. conductor resistance K1	79 Ohm/km	79 Ohm/km	79 Ohm/km	79 Ohm/km
Insulation resistance	100 MOhm	100 MOhm	100 MOhm	100 MOhm
Volume resistance	3 mOhm	3 mOhm	3 mOhm	3 mOhm
Specific volume resistance K1	>= 7E+15 Ohm*cm	>= 7E+15 Ohm*cm	>= 7E+15 Ohm*cm	>= 7E+15 Ohm*cm
Specific cable capacitance K1	64,6pF/m	64,6pF/m	64,6pF/m	64,6pF/m
Environmental data	380204	380205	380206	380207
Ambient temperature				
Temperature range	-25 - 80 °C	-25 - 80 °C	-25 - 80 °C	-25 - 80 °C
Airgap creepage				
Pollution degree	3	3	3	3
Protection type				
X1 when inserted	IP67	IP67	IP67	IP67
X2 when inserted	IP67	IP67	IP67	IP67
Housing	IP67	IP67	IP67	IP67
Mechanical data	380204	380205	380206	380207
Plug-in connector X1	M8, 4-pin female connector	M8, 4-pin female connector	M8, 4-pin female connector	M8, 4-pin female connector
In accordance with the standard	EN 61076-2-104	EN 61076-2-104	EN 61076-2-104	EN 61076-2-104
Form, plug-in connector X1	Angled	Angled	Angled	Angled
Plug-in connector X2	M12, 4-pin male connector	M12, 4-pin male connector	M12, 4-pin male connector	M12, 4-pin male connector
In accordance with the standard	EN 61076-2-101	EN 61076-2-101	EN 61076-2-101	EN 61076-2-101
Form, plug-in connector X2	Straight	Straight	Straight	Straight
Material of ring nut X1	CuZn	CuZn	CuZn	CuZn

PSS67/PDP67 Cable M8-M12 4p

Mechanical data	380204	380205	380206	380207
Material of ring nut X2	CuZn	CuZn	CuZn	CuZn
Housing material X1	PUR	PUR	PUR	PUR
Housing material X2	PUR	PUR	PUR	PUR
Material of contact surface X1	Au	Au	Au	Au
Material of contact surface X2	Au	Au	Au	Au
Material of pin	CuZn	CuZn	CuZn	CuZn
Material of socket	CuSn	CuSn	CuSn	CuSn
Conductor material K1	Cu	Cu	Cu	Cu
Insulating cover for conductor K1	PP (9Y)	PP (9Y)	PP (9Y)	PP (9Y)
Mating cycles X1	100	100	100	100
Mating cycles X2	100	100	100	100
Cable type K1	LiF9Y11Y	LiF9Y11Y	LiF9Y11Y	LiF9Y11Y
Cable length L1	3 m	5 m	10 m	30 m
Colour of external cable insulation K1	Yellow, similar to RAL1003	Yellow, similar to RAL1003	Yellow, similar to RAL1003	Yellow, similar to RAL1003
Colour of housing	black	black	black	black
Min. bending radius (fixed permanently) K1	5 x Ø	5 x Ø	5 x Ø	5 x Ø
Min. bending radius (moving) K1	10 x Ø	10 x Ø	10 x Ø	10 x Ø
Cable insulation material K1	PUR, TPU / TPE-U	PUR, TPU / TPE-U	PUR, TPU / TPE-U	PUR, TPU / TPE-U
Drag chain suitable K1	yes	yes	yes	yes
Cable diameter K1	4,6 mm	4,6 mm	4,6 mm	4,6 mm
Max. cable diameter K1	4,7 mm	4,7 mm	4,7 mm	4,7 mm
Conductor cross section K1	0,25 mm ²	0,25 mm ²	0,25 mm ²	0,25 mm ²
Conductor cross section AWG K1	24	24	24	24
Wire colour K1	Brown, white, blue, black	Brown, white, blue, black	Brown, white, blue, black	Brown, white, blue, black
Stranding K1	4 cores	4 cores	4 cores	4 cores
Shielding K1	No	No	No	No
Wire layer separation K1	No	No	No	No
No. of wires K1	4	4	4	4

PSS67/PDP67 Cable M8-M12 4p

Mechanical data	380204	380205	380206	380207
Approval cable K1	UL AWM-Style 20233, UL/CSA	UL AWM-Style 20233, UL/CSA	UL AWM-Style 20233, UL/CSA	UL AWM-Style 20233, UL/CSA
Halogen-free	yes	yes	yes	yes
Silicone-free	yes	yes	yes	yes
Oil resistance	Resistant	Resistant	Resistant	Resistant
Non-flammability	UL VW1	UL VW1	UL VW1	UL VW1
Material				
Housing	PUR	PUR	PUR	PUR
Weight	110 g	171 g	331 g	991 g

Order reference

Product type	Features	Connector X1	Connector X2	Order no.
PSS67 Cable M8sf M12sm, 3m	3 m	M8 female connector, straight	M12 male connector, straight	380 200
PSS67 Cable M8sf M12sm, 5m	5 m	M8 female connector, straight	M12 male connector, straight	380 201
PSS67 Cable M8sf M12sm, 10m	10 m	M8 female connector, straight	M12 male connector, straight	380 202
PSS67 Cable M8sf M12sm, 30m	30 m	M8 female connector, straight	M12 male connector, straight	380 203
PSS67 Cable M8af M12sm, 3m	3 m	M8 female connector, angled	M12 male connector, straight	380 204
PSS67 Cable M8af M12sm, 5m	5 m	M8 female connector, angled	M12 male connector, straight	380 205
PSS67 Cable M8af M12sm, 10m	10 m	M8 female connector, angled	M12 male connector, straight	380 206
PSS67 Cable M8af M12sm, 30m	30 m	M8 female connector, angled	M12 male connector, straight	380 207